



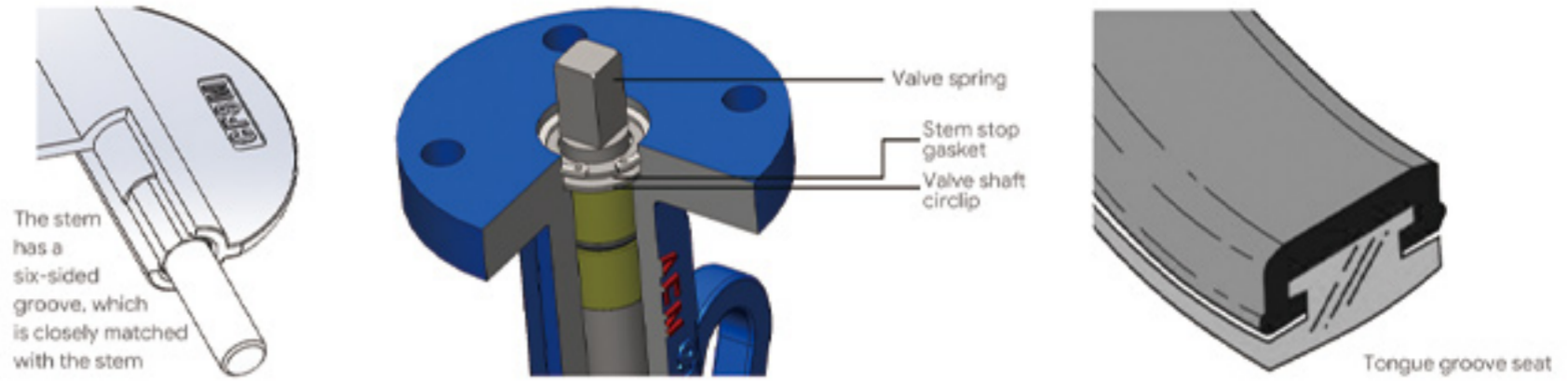
A130
2" - 48" (DN50 - DN1200)

Soft Seal Butterfly Valve

long life & resilient seated

A130

The structure of A130 valve is simply one piece body, and the edge of the disc is machined and polished by the surface, with the advantages of low operating torque, long service life and good sealing performance. Because such designs completely prevent collecting dust particles and bacteria, A130 valve is commonly used in the health field. The surface of the valve stem and disc can also be coated with a Layer of nitrile rubber or ethylene propylene rubber to prevent corrosion. Valve plate and stem is designed as "sheet", which can improve the Cv value (50% higher than normal spindle through valve plate) and pressure recovery ability, which is a kind of energy saving valve.

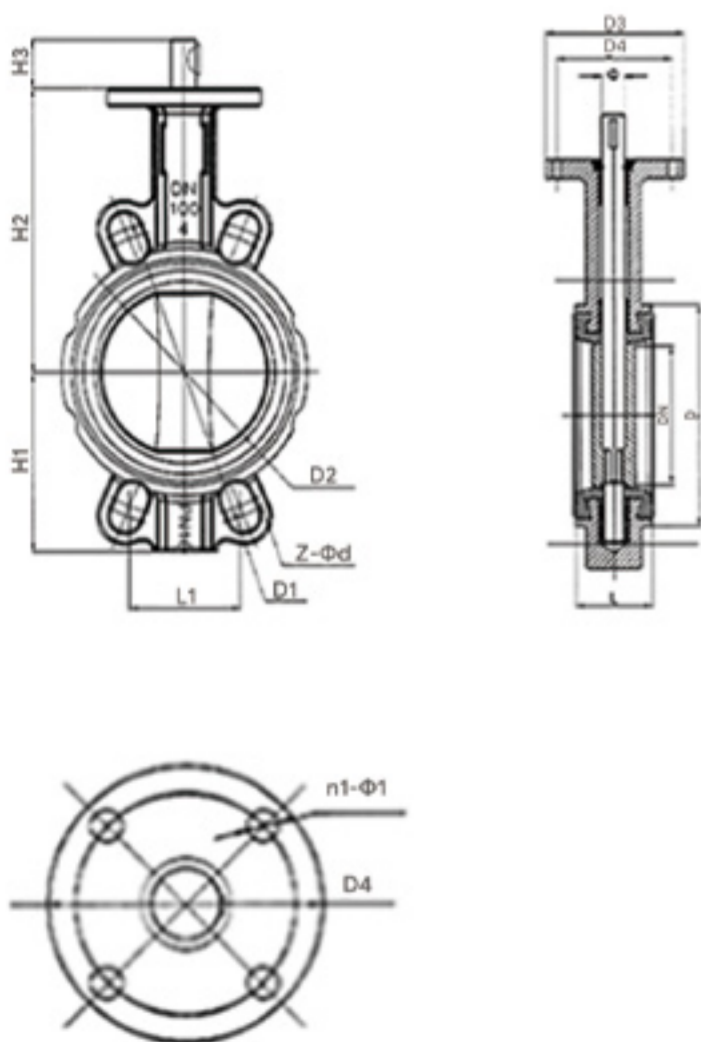


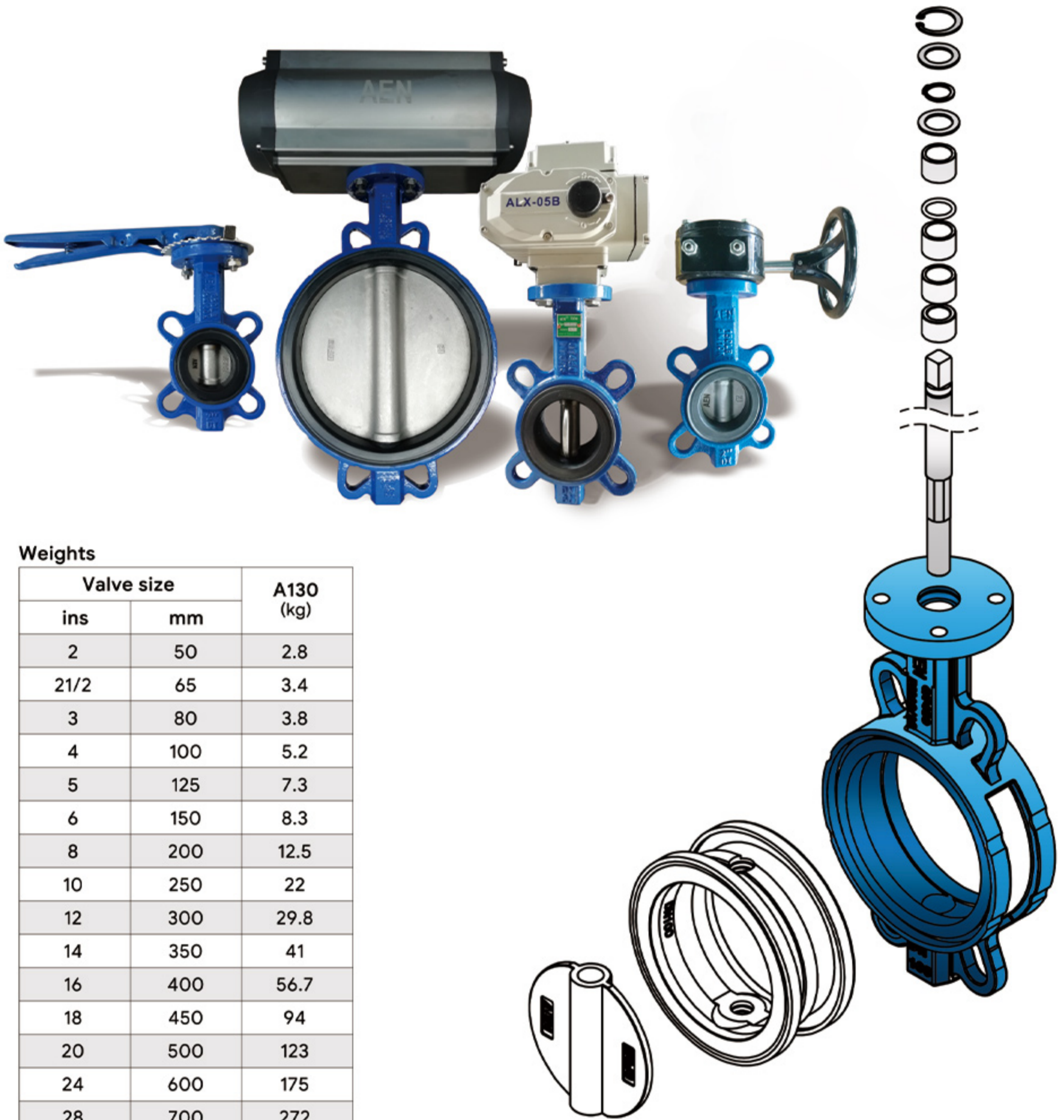
Selection of Standard Materials

Parts	Material	Parts	Material
Body	Gray iron	Plate	Nickel aluminum bronze
	Nodular castiron		PTFE coated ball mill castiron
	Carbon Steel		Stainless steel
	Super austenitic stainless steel Aluminum bronze, aluminum alloy, nickel cadmium, cast iron and so on.		Ductile nodular cast iron
Seat	Ethylene propylene rubber Nitrile rubber Fluorine rubber Silicone rubber Polytetrafluoroethylene		Nickel chromium cast iron
			Duplex stainless steel
			Super austenitic stainless steel
		Hartz alloy	
		Stem	416 stainless steel
304 stainless steel			
316 stainless steel			
Duplex stainless steel			
Monel K500			

Butterfly Valve Size, Connection Size,Weight

Specification		H2	H1	L	D2	H3	L1	D1	Z-Φ	D3	D4	n1-Φ1	D	kg
(mm)	(inch)													
25/32	1/1.2"	96	55	33	32.5	25		85/100	4-12	65	50	4-6.7	71	1.2
40	1.6"	105	55	33	40	25		110	4-12	65	50	4-6.7	81	1.8
50	2"	161	80	42	52.9	32	84.84	120	4-23	77	57	4-6.7	118	2.5
65	2.5"	175	89	44.7	64.5	32	96	136	4-27	77	57	4-6.7	137	3.2
80	3"	181	95	45.2	78.8	32	61	160	8-18	77	57	4-6.7	143	3.6
100	4"	200	114	52.1	104	32	71	185	4-25	92	70	4-10.3	156	4.9
125	5"	213	127	54.4	123.3	32	82	215	4-23	92	70	4-10.3	190	7
150	6"	226	139	55.8	155.6	32	91	238	4-25	92	70	4-10.3	212	7.8
200	8"	260	175	60.6	202.5	45	113/76	295	4-25/4-23	115	89	4-14.3	268	13.2
250	10"	292	203	65.6	250.5	45	92	357	4-29	115	89	4-14.3	325	19.2
300	12"	337	242	76.9	301.6	45	105	407	4-29	140	108	4-14.3	403	32.5
350	14"	368	267	76.5	333.3	45	91	467	4-30	140	108	4-14.3	436	41.3
400	16"	400	309	85.7	389.6	51/72	101/102	515/525	4-26/4-30	197	159	4-20.6	488	61
450	18"	422	328	104.6	440.5	51/72	88/92	565/585	4-26/4-30	197	159	4-20.6	539	79
500	20"	480	360	130.28	491.6	53/78	97/102	620/650	4-26/4-33	197	159	4-20.6	594	128
600	24"	562	459	151.36	592.5	70/82	113/121	725/770	20-30/20-36	276	216	4-22.2	824	188
700	28"	624	520	163	695	66/82	110	840	24-30/20-36	300	254	8-18	895	284
800	32"	672	591	188	795	66/82	124	950	24-33/24-39	300	254	8-18	1015	368
900	36"	720	656	203	865	118	118	1050	24-33	300	254	8-18	1115	713
1000	40"	800	722	216	965	141	130	1160	24-36	300	254	8-18	1230	864
1200	48"	860	765	231	1040	184	150	1260	28-36	350	302	8-18	1350	1000
1400	56"	920	804	250	1132	240	178	1400	28-36	350	302	8-18	1440	1124





Weights

Valve size		A130 (kg)
ins	mm	
2	50	2.8
2 1/2	65	3.4
3	80	3.8
4	100	5.2
5	125	7.3
6	150	8.3
8	200	12.5
10	250	22
12	300	29.8
14	350	41
16	400	56.7
18	450	94
20	500	123
24	600	175
28	700	272
32	800	381
36	900	453
40	1000	565
48	1200	1140

Serving the World Industry with High Quality
 AEN will provide you with qualified valves with different materials and weights as per your special requirements!

ABOUT

AEN.TECH is an integrated machinery manufacturing group company. It has 18 years of development history since its first plant was put into operation. Currently, it has three factories in China and mainly produces various types of valves and machined products. Over the years, the products have been widely used in metallurgy, chemical industry, sewage treatment, heating and construction, gas, and other fields, and AEN committed to providing customers with a full range of industrial valve solutions.



World Headquarters, Anshan, China

The factory has advanced processing equipment and the products are produced in accordance with API, ANSI, JIS, ISO, BS, JB, and GB standards. The production technology is advanced and the testing methods are perfect.

Over the years, the company has served the world's industrial sectors with its advantages of good reputation, stable product quality, modern enterprise management, automated processing equipment and advanced technology.

The main products: valves, pipe fittings.

Worldwide Sales and Services Network



All statements, technical information, and recommendations in this brochure are only for general use. For your specific requirements and material selection, please consult with representatives or sales of AEN .TECH. The right to change or modify the product design or product itself without prior notice is reserved.

Welcome global partners!

DISTRIBUTOR

AEN.TECH CONTACT

High-tech Zone, Anshan, Liaoning, China

E-mail: liuchangsong9688@gmail.com、ceo@asaicn.com

TEL No: +86 04122616600

www.aen-valve.com